



MET Laboratories, Inc. *Safety Certification - EMI - Telecom Environmental Simulation*

914 WEST PATAPSCO AVENUE • BALTIMORE, MARYLAND 21230-3432 • PHONE (410) 354-3300 • FAX (410) 354-3313

Global Strategic Enterprises LLC
6021 University Blvd., Suite 320
Ellicott City, Maryland 21043

April 14, 2006

Dear Mr. Schulman,

Enclosed is the test data obtained from the testing of the "PowerOptimizer™-3KVA Plug-in Energy Savings Device." The Device was subjected to Energy Consumption Testing in accordance with MET Quote Number 2GSE0710, and Global Strategic Enterprises LLC a.k.a Energy Optimization LLC & K&A Americas LLC. Order Number GSE101005100.

The Testing was performed as follows:

1. An AC Motor was connected to the electrical monitoring equipment. The following parameters were recorded: Voltage, Current, Watt-hours, and Room Temperature.
2. The motor was connected to a squirrel cage fan and hydraulic motor to create the load. The load was adjusted by restricting the flow through the hydraulic motor.
3. The system was adjusted to approximately 2.3KVA and monitored for 24 hours.
4. The 3KVA Plug-in Energy Savings Device was connected and the system was monitored for approximately 8 days.
5. The 3KVA Plug-in Energy Savings Device was disconnected and the system was monitored for approximately 17 days.

All equipment used in making physical determination is accurate and bears recent traceability to the National Institute of Standards and Technology. MET Laboratories, Inc. Environmental Laboratory is accredited by A2LA.

Thank you for using the services of MET Laboratories, Inc. If you have any questions regarding these results or if MET can be of further service to you, please feel free to contact me.

Sincerely yours,
MET LABORATORIES, INC.

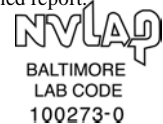
Angela D. Brown
Documentation Department

Reference: (\\Global Strategic Enterprises LLC\\ESL18472-GEN Rev1)

Certificates and reports shall not be reproduced except in full, without the written permission of MET Laboratories, Inc. While use of the National Voluntary Laboratory Accreditation Program (NVLAP) letters or the NVLAP Logo, the Standards Council of Canada Logo, A2LA or the Nationally Recognized Testing Laboratory (NRTL) Letters in this report reflects MET Accreditation under these programs, these letters, logo, or statements do not claim product endorsement by NVLAP or any Agency of the U.S. Government. This letter of transmittal is not part of the attached report.



The Nation's First Licensed Nationally Recognized Testing Laboratory





Global Strategic Enterprises LLC
3KVA Plug-in Energy Savings Device

Power Consumption Testing

for the

**Global Strategic Enterprises LLC
3KVA Plug-in Energy Savings Device**

Tested Under

Customer Order Number: GSE101005100

MET Report: ESL18472-GEN Rev1

April 14, 2006

Prepared For:

**Global Strategic Enterprises LLC
10249 Bristol Channel
Ellicott City, Maryland 21042**

Prepared By:
MET Laboratories, Inc.
914 West Patapsco Avenue
Baltimore, Maryland 21230



Test Report
for the

Global Strategic Enterprises LLC
3KVA Plug-in Energy Savings Device

Tested Under

Customer Order Number: GSE101005100

Testing Performed By:

Philip Layman
Test Engineer

Report Prepared By:

Angela D. Brown
Documentation Department

Lab Manager:

Todd Talbot
Environmental Lab



Table of Contents

I. Test Results.....	1
II. Test Equipment.....	7



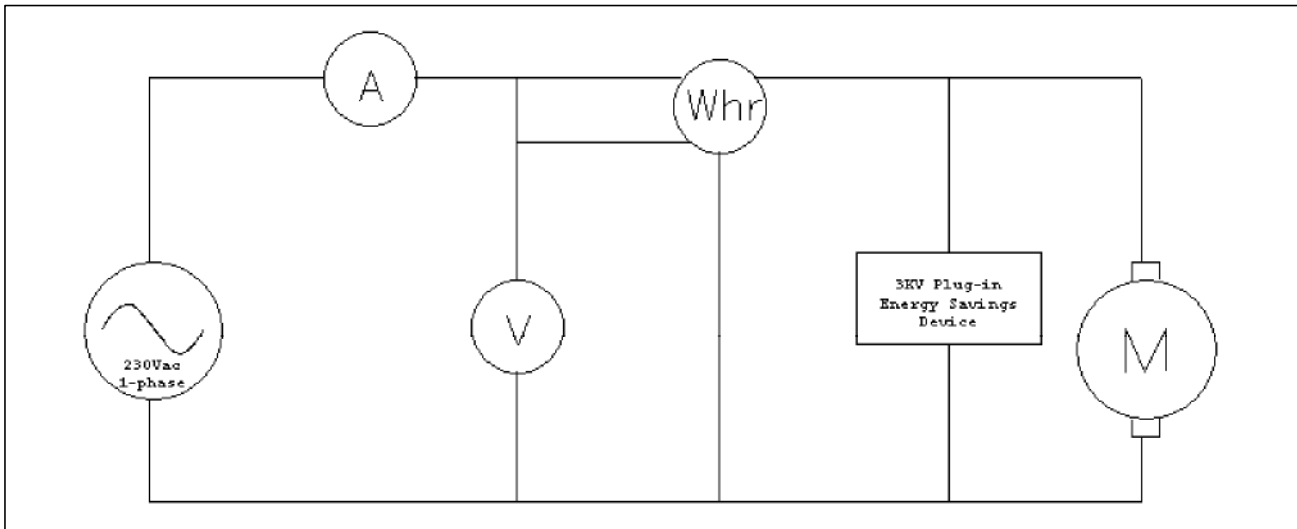
I. Test Results

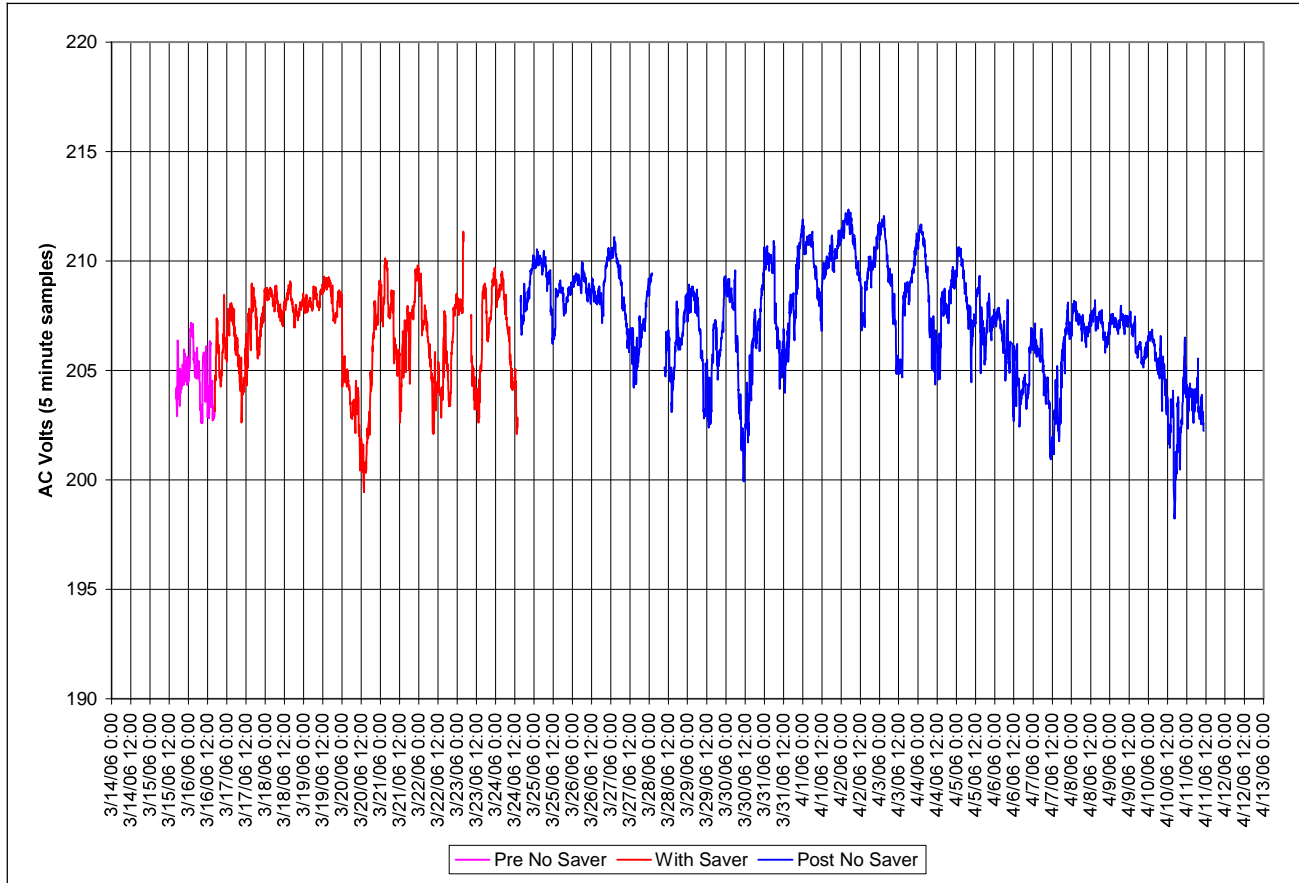


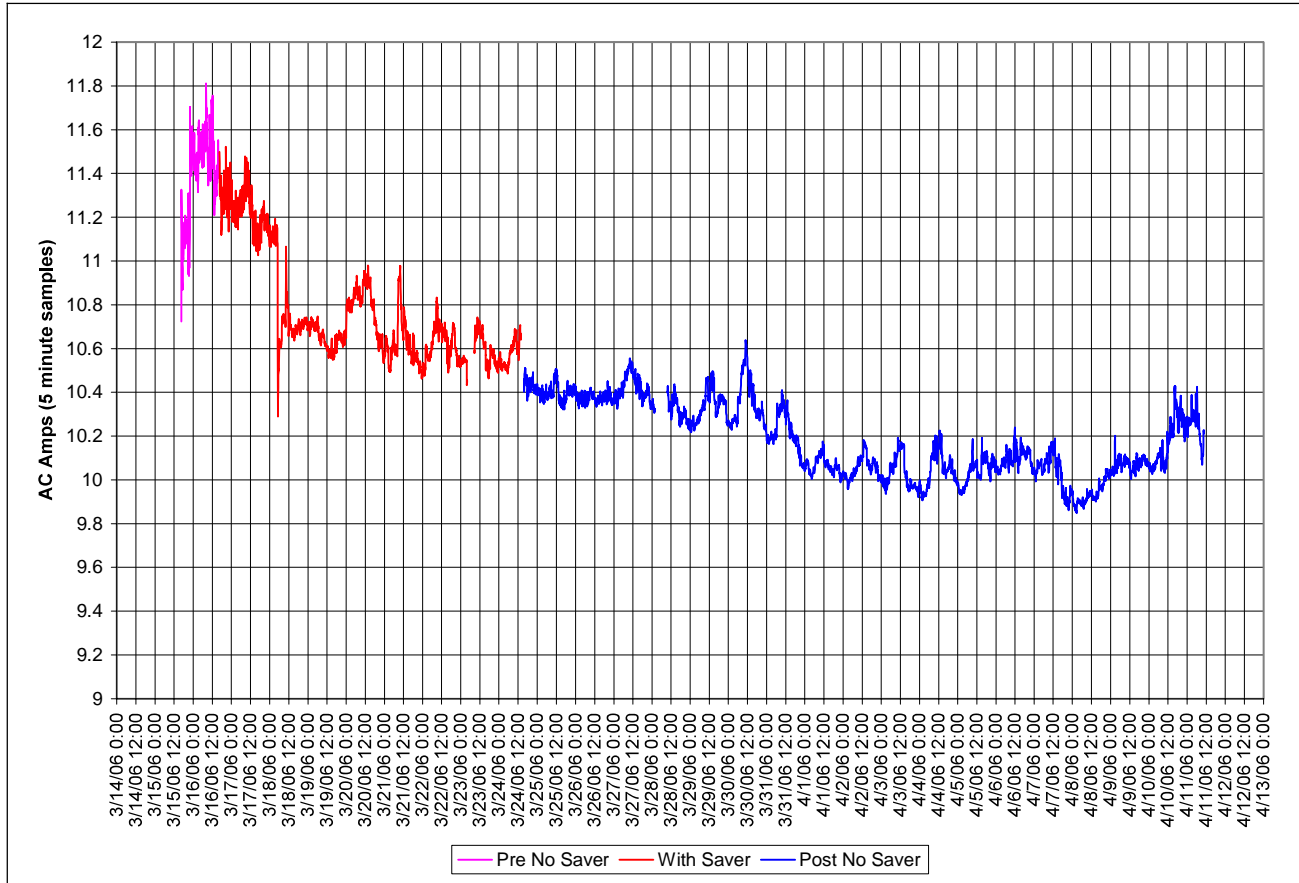
Notes:

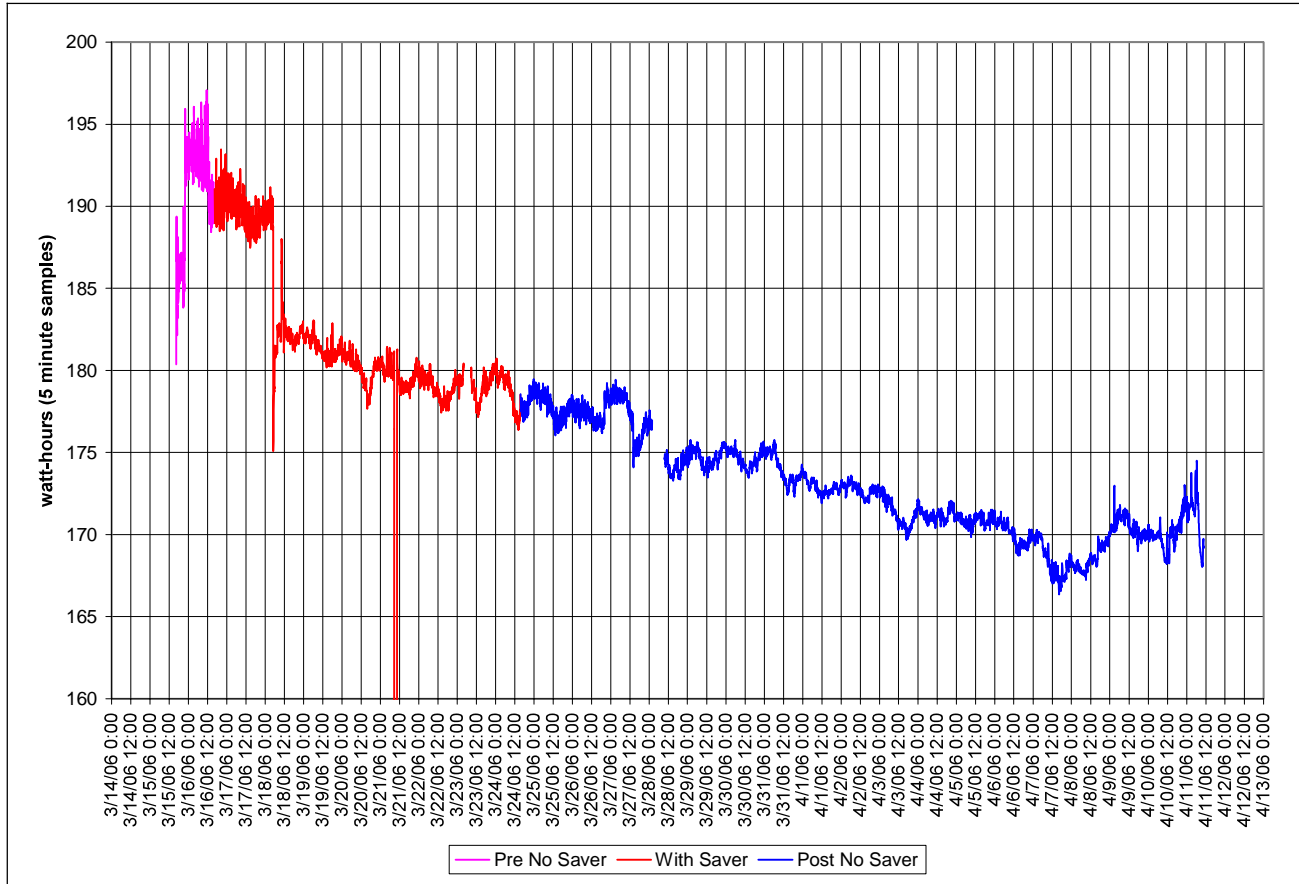
On 3/18/06 @ ~5:00am, a sudden drop in power consumption was noted.

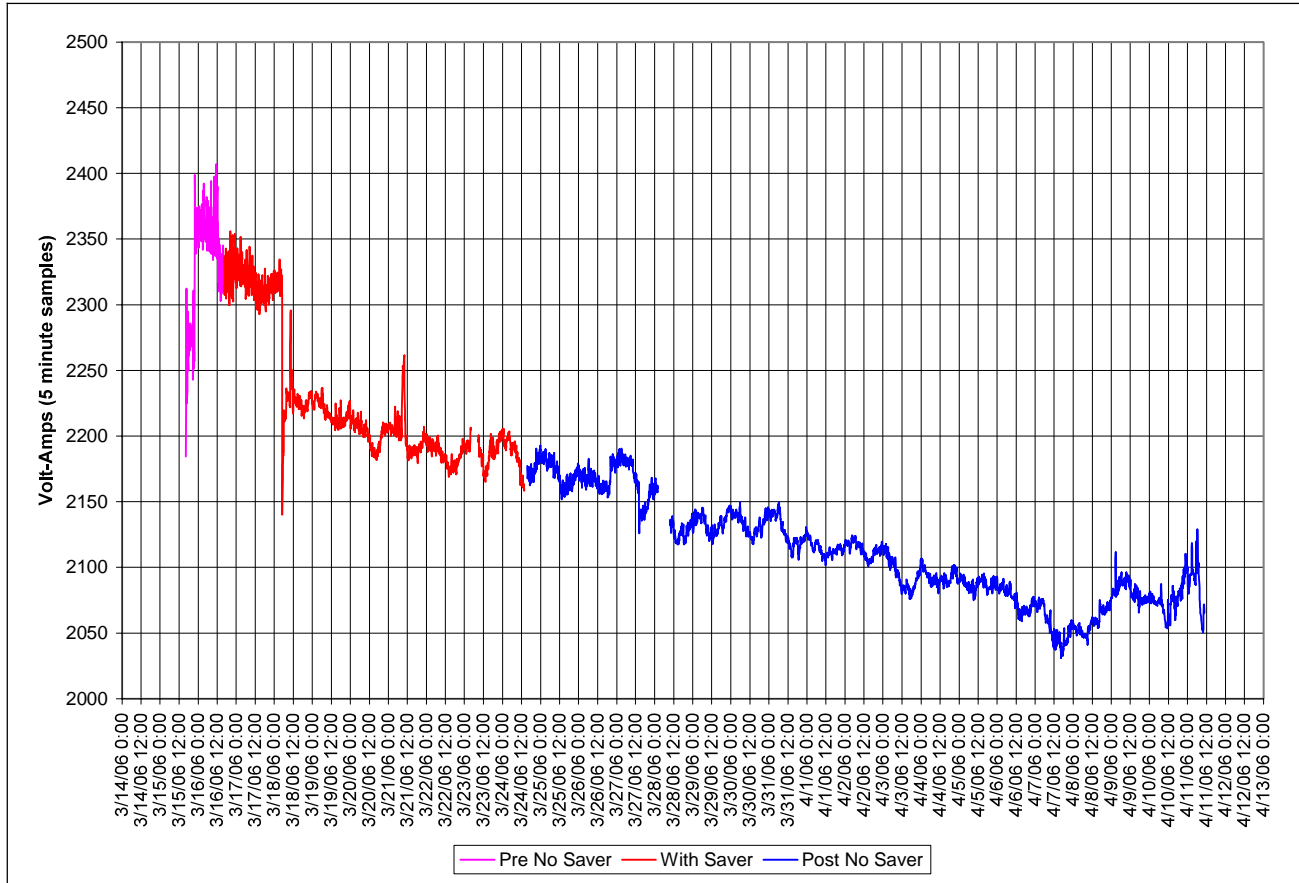
After the 3KVA Plug-in Energy Savings Device was unplugged, the power consumption continued to decrease. On 4/7/06, it appears that the power consumption has started to increase. According to Daniel Schulman, this is a result of the residual effects of the device which takes time to dissipate.













II. Test Equipment



Test Equipment

Test equipment utilized during testing was maintained in a current state of calibration per the requirements of MIL-STD-45662A and ISO 10012-1:1992(E).

MET ID #	EQUIPMENT	MANUFACTURER	MODEL #	LAST CAL	CAL DUE
2T1007	PORTABLE WATTHOUR STANDARD	SCIENTIFIC-COLUMBUS	SC-10	07-JUL-05	07-JUL-06
2T2408	CURRENT SHUNT	EMPRO	HA-100-100	SEE NOTE	
2T5232	6.5 DIGIT DMM	HP	34401A	22-JUL-05	22-JUL-06
2T5592	DIGITAL MULTIMETER	AGILENT	34401A	24-MAR-05	24-MAR-06
2T5593	DIGITAL MULTIMETER	AGILENT	34401A	04-MAR-05	04-MAR-06
2T5594	DIGITAL MULTIMETER	AGILENT	34401A	25-MAR-06	25-MAR-07
2T5804	AC/DC CLAMP METER	EXTECH	38095C	25-JAN-06	25-JAN-07
N/A	DATA ACQUISITION PC	N/A	N/A	SEE NOTE	
N/A	5HP, 230V, SINGLE PHASE, AC MOTOR	GE MOTORS & INDUSTRIAL SYSTEMS	5KCR49ZN2151AU	N/A	N/A

Note: Functionally verified test equipment is verified at the time of testing.



End of Report